

# AR-070



CE II 3GD Ex nA IIC T4 Gc, Ex tc IIIC T85°C Dc IP65 94/9/EC (ATEX) CENELEC: EN 60079-0, EN 60079-15, EN 60079-31

## Explosion-Safe Signal Tower



LED



### FEATURES

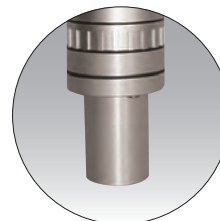
- Explosion-Safe for gas and dust
- Suitable for Zone 2 and Zone 22
- CE Compliance in accordance to ATEX
- Full and brilliant lumination
- LED double reflection lighting system
- Different lens colors available
- Stackable from 1 to 5 tiers
- Wall mount or direct mount
- Ingress protection of IP65 (IP54 with buzzer)
- Available with "flashing/ non-flashing" and two audible alarm sounds

85dB at 1m

IP65 (IP54 with Buzzer)

Explosion-Safe

Ø40



1/2" NPT

\*1/2 NPT Adaptor also available

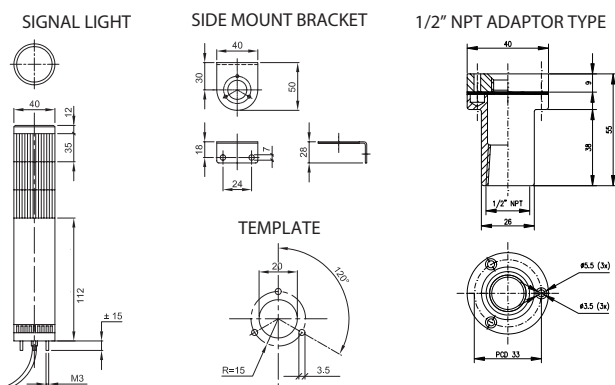


Side-mount Bracket

## Explosion-Safe Signal Tower Ø40mm with sealed cable

## Specifications

### Dimensions (Unit: mm)

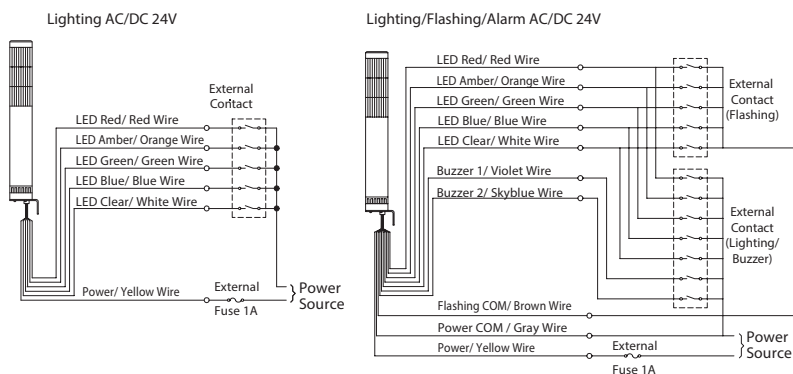


Explosion-safety	CE Ex II 3 GD; Ex nA IIC T4 Gc; Ex tc IIIC T85°C Dc IP65
CE Conformities	EN 60079-0, EN 60079-15, EN 60079-31
Certification	EC Declaration of Conformity
Ambient Temperature	-30°C - +60°C
Ingress Protection	IP65 to EN 60529
Material	ABS Tower Body
Lighting Source	Multiple LED's with Double Reflection System
Acoustical Source	Buzzer with two different tones: 85dB (at 1m)
Rated Voltage	AC/DC 24V
Assembly Position	As Desired
Activation Time	100%
Module Colors Available	Red, Amber, Green, Blue, Clear/White
Cable	Factory sealed cable, Ø8mm, length 3 meters

### CURRENT RATINGS

LED		BUZZER	
Signal Line Current		Signal Line Current	Inrush Current
Red, Amber	Green, Blue, Clear	ab. 40mA	ab. 250mA
ab. 30mA	ab. 25mA		

## Wiring



## How to Order

AR-070-0 1 / -RYGBC

### Model Code

- 1: Continuous Light  
2: Flashing/ Alarm

### Rated Voltage

- 1: AC/DC 24V

### Tiers

- 1: 1 Tier  
2: 2 Tiers  
3: 3 Tiers  
4: 4 Tiers  
5: 5 Tiers

### LED Color

- R: Red  
Y: Amber  
G: Green  
B: Blue  
C: Clear/White  
(From top to bottom)

### Bracket Code

- Blank: L Type  
N: NPT Type

※ AC type available by special order.