

CLN-EX

CE II 3GD Ex nA IIC T4 Gc, Ex tc IIIC T135°C Dc IP65 94/9/EC (ATEX) CENELEC: EN 60079-0, EN 60079-15, EN 60079-31

Explosion-Safe LED Work Light



Daylight

IP66G/67G/69K

Explosion-Safe

FEATURES

- 820 lx brightness
- 60,000 hrs., or about 7 years of long service life (*1)
- IP66G, IP67G, IP69K protection (*2)
- Low current draw of 174mA
- DC 24V (Polarized)
- Wide operating temperature range (-40 to +60°C)
- IEC62471 Compliance (Photobiological Safety Standard)
- Daylight Color Temperature (6,500K), suitable for very detailed work
- Made of aluminum alloy and tempered glass, is resistant to water, oil and coolants
- Includes a flexible stainless-steel angle bracket to adapt to various scenarios (*3)
- Compact, light-weight, durable design (Thickness:22.2mm x Width: 85mm x Height: 128mm)

*1 : The typical value of LED brightness is 70% of the original specification, but may vary depending on actual applications.

*2 : IP66G and IP67G are Japanese Industrial Standards (JIS C0920-2003), and IP69K is the German DIN 40050 PART9 Standard.

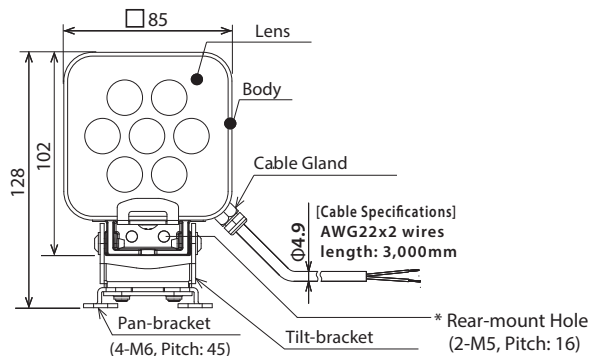
*3 : CLN-24-CD-PT-EX Work Light can only be installed where risk of mechanical danger is limited to 2 Joules of impact energy.



CLN-24-CD-PT-EX

Dimensions

• Pan/Tilt Type (PT Type)



How to Order

CLN-24-CD-PT-EX

Movable Type

T : Tilt

PT : Pan/Tilt

Specifications

| | | |
|---|--|--------|
| Model | CLN-24-CD-PT-EX | |
| Color Code (Color) | CD (Daylight) | |
| Color Temperature (typ.) | 6500K | |
| Illumination (typ.) (Centered at DC 24V) | 1m | 820 lx |
| Total Luminous Flux (typ.) | 550 lm | |
| Rated Voltage | DC 24V (Polarized) | |
| Operating Voltage Range | DC 24V ±10% | |
| Rated Consumption Current/Power Dissipation | 174mA ±10% / 4.2W | |
| Operating Ambient Temperature | -40°C to +60°C (90% RH, no condensation) | |
| Main Unit Material | Body: Aluminum Alloy Lens: Tempered Glass | |
| Protection Rating | IP66G/67G (JIS C 0920)/69K (DIN 40050 part 9) (excluding cable ends) | |
| Mounting Location/Direction | Indoor / Any Direction | |
| Insulation Resistance | DC 500V 5MΩ or more between power input and metallic part | |
| Withstand Voltage | 500VAC for 1 minute between power input and chassis | |
| Vibration Resistance | 30Hz total amplitude 0.3mm ^{PP} (Back and forth, up and down, left and right for 2 hrs each) total amplitude 0.3mm ^{PP} (10-57Hz), Acceleration 19.6m/s ² | |
| Mass (Tolerance ±10%) | 430g | |